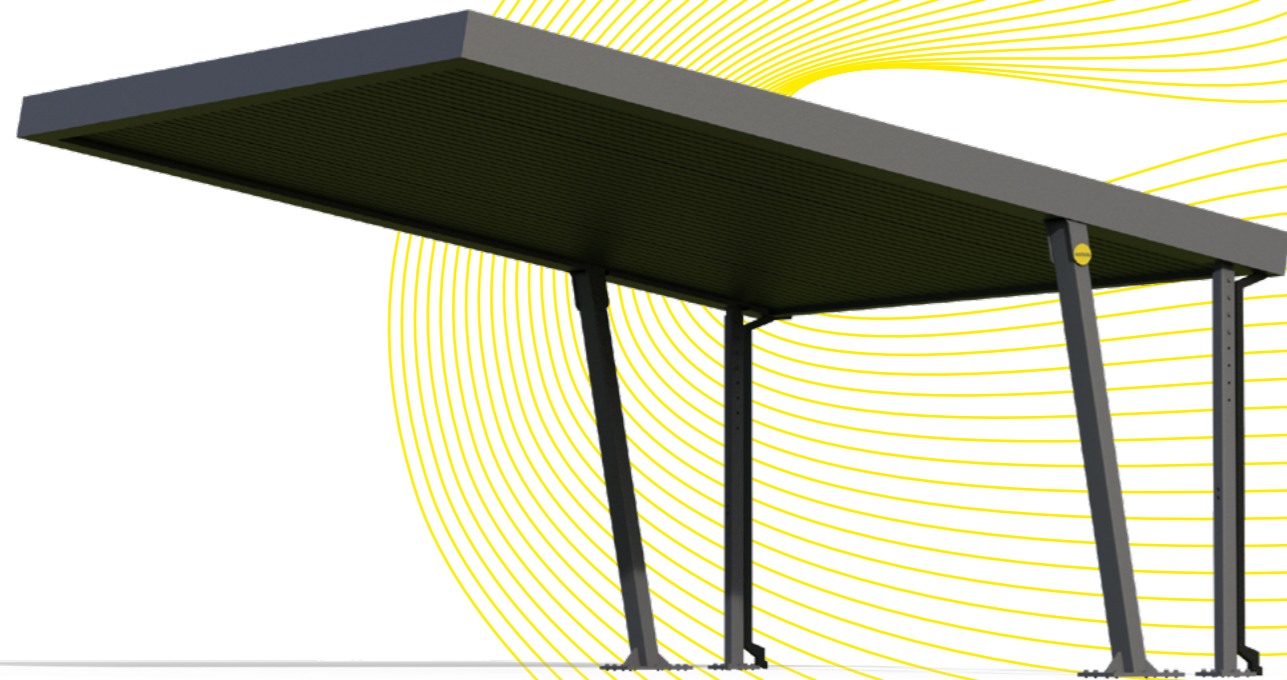


+ADDSOLIS

Power up your drive.



Our solar carports



Mission

Our mission is to provide the highest quality, innovative and sustainable solutions in the field of solar energy for the automotive industry. Through our products and services, we want to contribute to sustainable development, environmental protection and creating a better world for future generations.

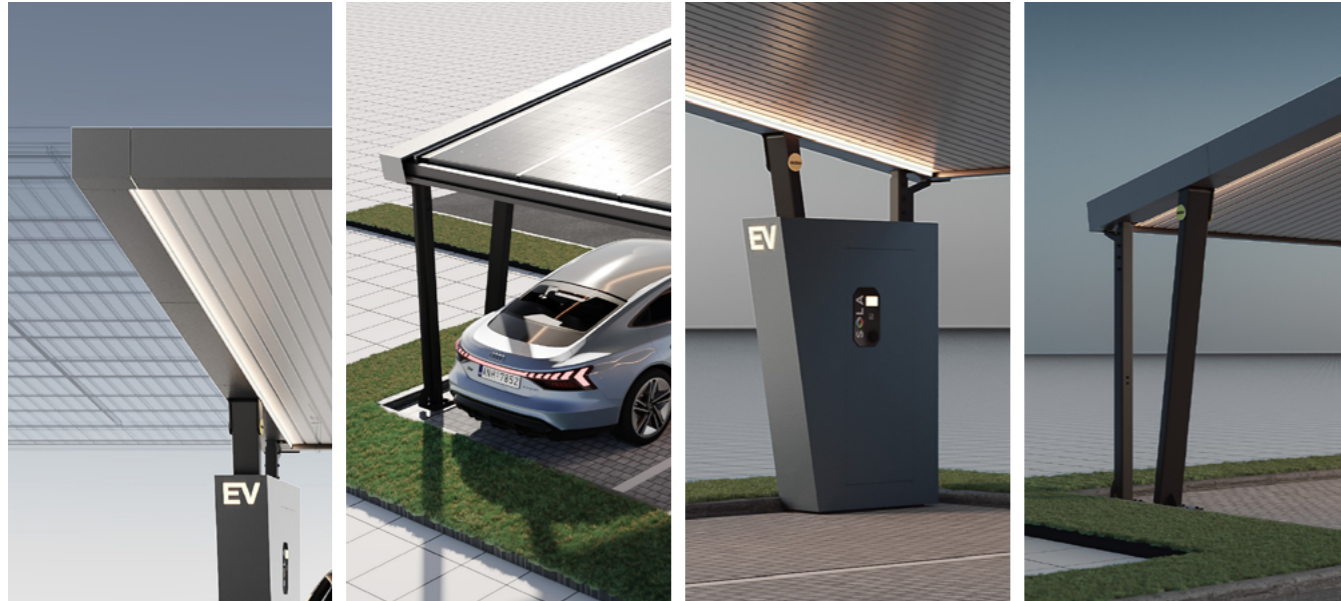
Vision

Our vision is to become a leader in sustainable automotive solutions by offering products and services that enable the use of free solar energy. We want to change the world through innovation and education, raising awareness about the benefits of using solar energy and sustainable development, and contributing to the reduction of greenhouse gas emissions.

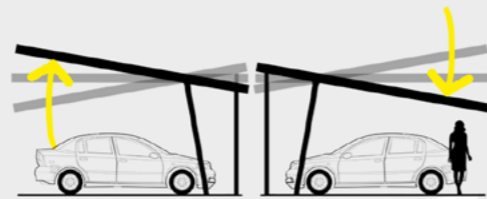
Addsolis is a manufacturer of innovative carports equipped with photovoltaic panels. Thanks to this, our carports not only protect your car from the weather, but also allow you to generate free and sustainable energy from the sun. Our sheds are designed with the comfort and safety of users in mind, and at the same time they allow you to reduce the negative impact on the natural environment. With Addsolis you get not only a modern and functional solution, but also use a clean and ecological source of energy.

Addsolis is a manufacturer of innovative carports equipped with photovoltaic panels. Thanks to this, our carports not only protect your car from the weather, but also allow you to generate free and sustainable energy from the sun. Our sheds are designed with the comfort and safety of users in mind, and at the same time they allow you to reduce the negative impact on the natural environment. With Addsolis you get not only a modern and functional solution, but also use a clean and ecological source of energy.

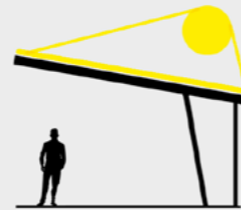
Features



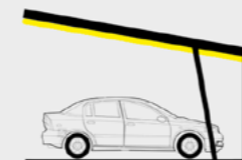
Durable & safe



Adaptive roof angle



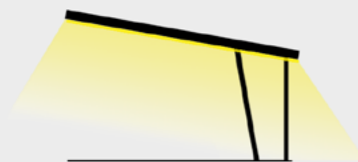
Effective PV roof



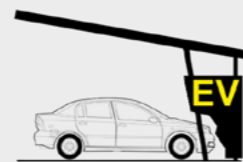
100% waterproof



Modular design



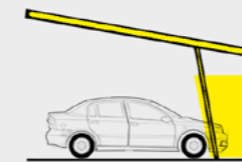
Integrated LED lighting



Built-in car charger



Column-free zone



Customised colors



Optimized parking space

Configurations



Addsolis Tilt

A basic version with an industrial look. All the profiles, screw connections are visible here, however, thanks to this you get the raw character of the carport, which will fit perfectly in an industrial environment.

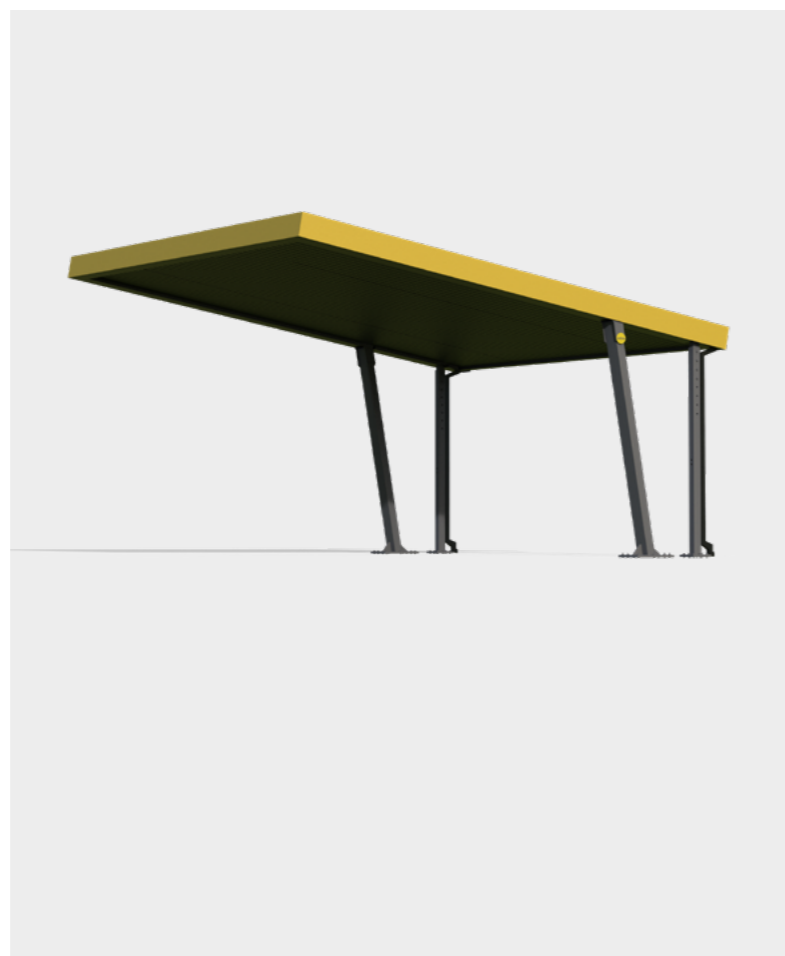
Height	340cm
Minimum height	240cm
Width	560cm
Depth	540cm
Roof angle	-10 ° / 0 ° / 10 °
Main material	hot dip galvanized steel
Add-ons material	stainless steel
Solar panels	12 x 420W
Panels size	1722x1134x30mm
Total power	5.04kW
Inverter and wires for an extra charge	



Addsolis Tilt Pro

Tilt pro is a version additionally encased in stainless steel panels, giving it a minimalist look. In addition, the panels can be painted in any RAL color, which gives great opportunities for carport personalization.

Height	340cm
Minimum height	240cm
Width	560cm
Depth	540cm
Roof angle	-10 ° / 0 ° / 10 °
Main material	hot dip galvanized steel
Add-ons material	stainless steel
Solar panels	12 x 420W
Panels size	1722x1134x30mm
Total power	5.04kW
Stainless steel roof side casings	Yes
Inverter and wires for an extra charge	



Addsolis Tilt Pro EV

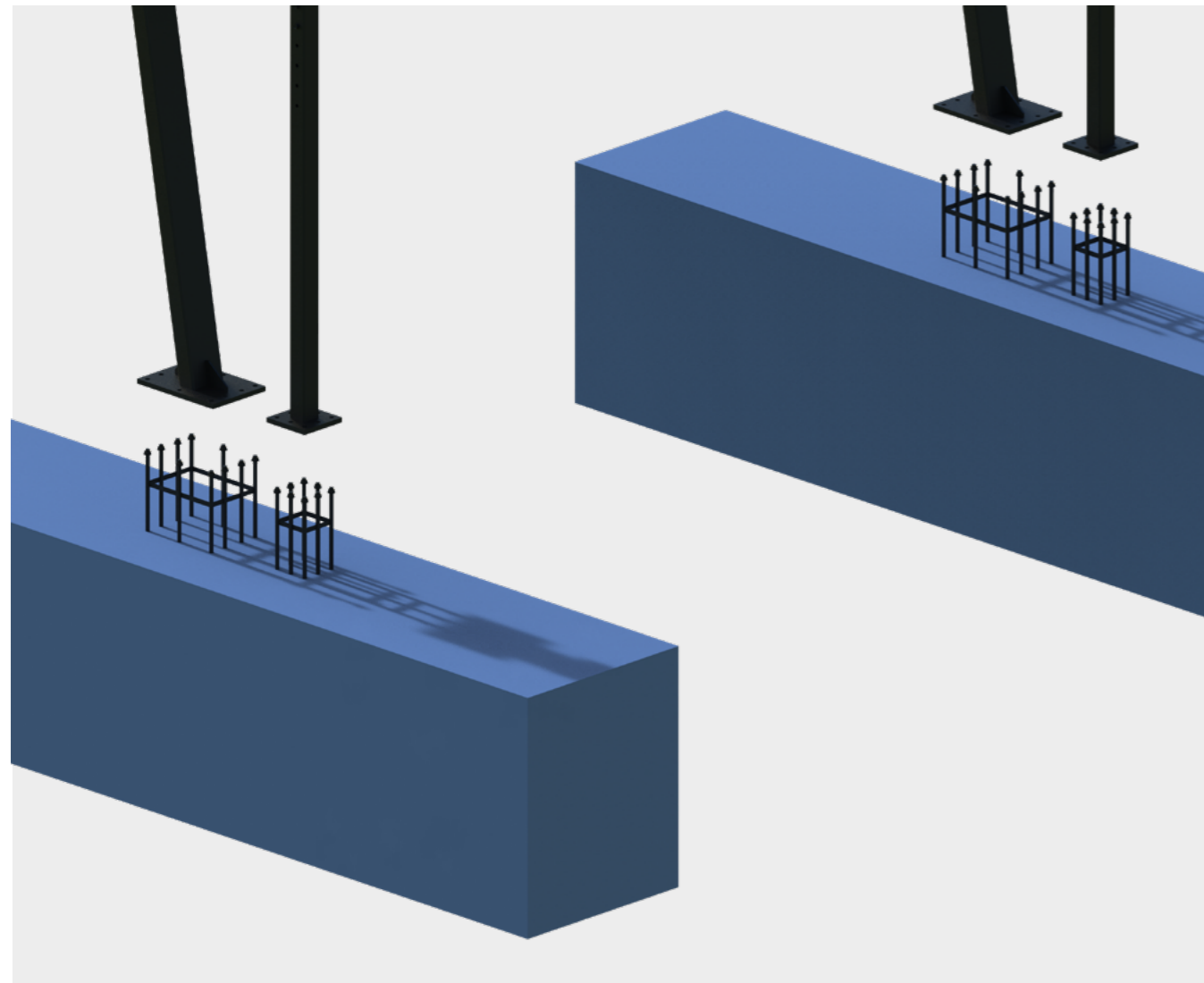
The Tilt Pro EV is Addsolis' most advanced shed. Compared to the Tilt Pro carport, it differs further with a dedicated body that hides the car charger and optional energy storage. When designing the Tilt Pro EV, we focused on offering a complete solution with optimally selected components that fit together perfectly.

Height	340cm
Minimum height	240cm
Width	560cm
Depth	540cm
Roof angle	-10 ° / 0 ° / 10 °
Main material	hot dip galvanized steel
Add-ons material	stainless steel
Solar panels	12 x 420W
Panels size	1722x1134x30mm
Total power	5.04kW
Stainless steel roof side casings	Yes
Encased sides	Yes
Integrated car charger	Yes
Inverter and wires for an extra charge	



Foundations

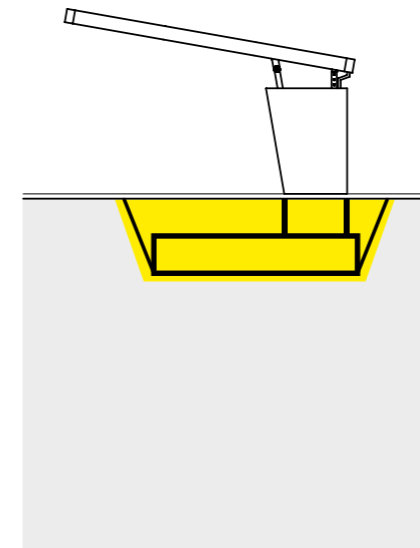
The Addsolis Carport can be founded in several ways. We have provided various solutions to suit the site conditions, existing infrastructure and customer requirements. When installing a carport, you can choose more traditional solutions or advanced foundation that saves time and does not disturb the existing groundwork.



✚ADDSOLIS

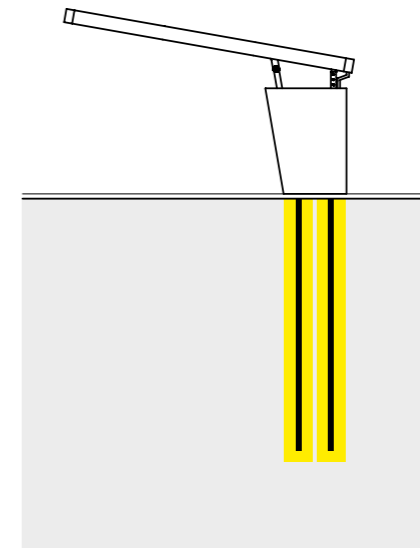
Concrete foundation

A traditional footing with a large surface area stably anchors the carport to the ground. It is relatively easy to make under all conditions.



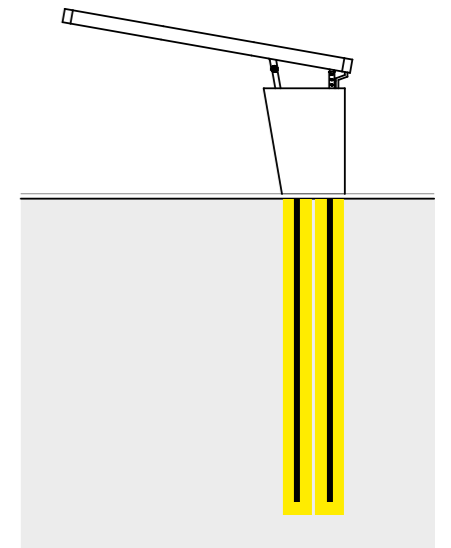
Concrete piles

Deeply embedded concrete piles anchor the structure to the ground minimizing the construction area.



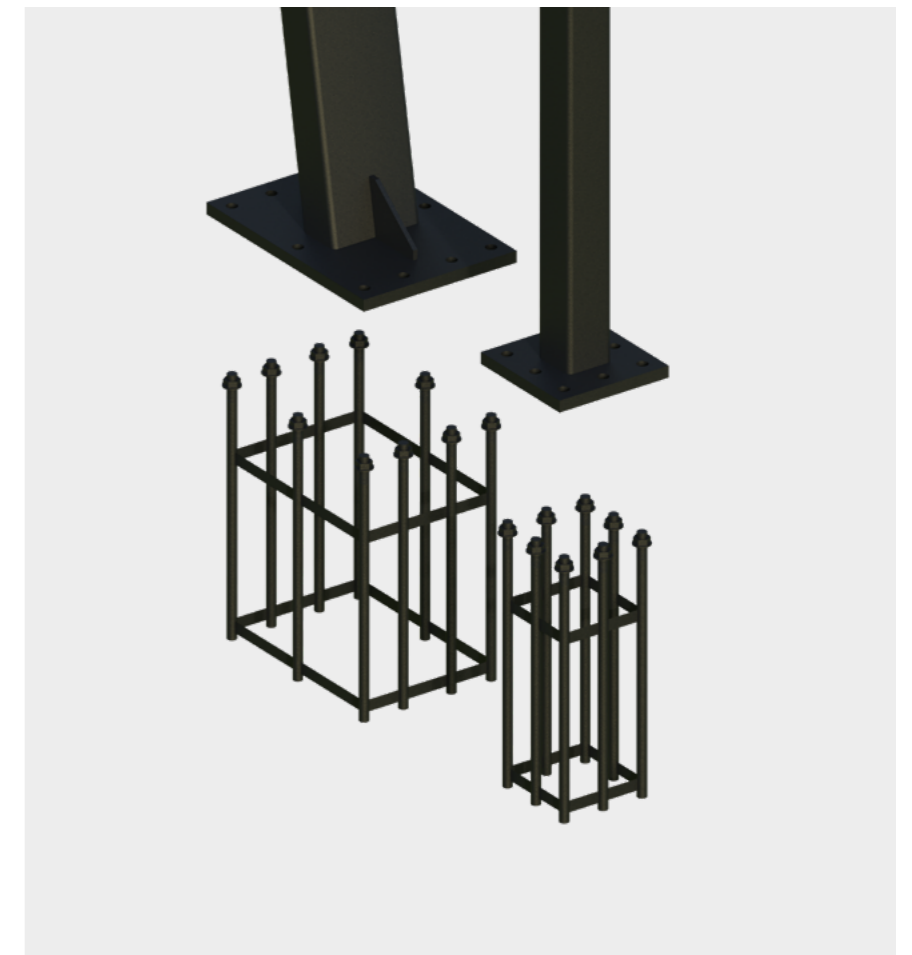
Deeply embedded steel pins

The long steel pins are deeply embedded in the ground so that interference with infrastructure is minimal. Embedding the pins requires specialized equipment for deep drilling into the ground.



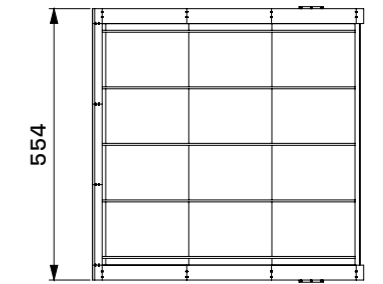
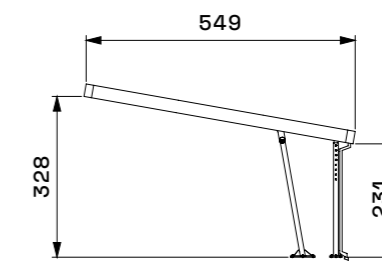
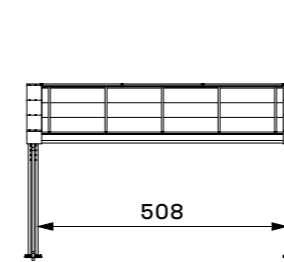
Prefabricated reinforcement bars

In order to simplify installation, we have developed steel positioning cages that further stabilize the legs, position them relative to each other and facilitate seating. This solution minimizes the risk of installation error and helps speed up the process.



✚ADDSOLIS

Technical data



Addsolis Tilt / Tilt Pro / Tilt Pro EV

Height	340cm
Minimum height	240cm
Width	550cm
Depth	540cm
Parking spaces	2
Max car height	230cm
Roof angle	adjustable -10° / 0° / 10°
Main material	hot dip galvanized steel
Add-ons material	stainless steel
Total power	5.04kW
Solar panels	12 x half-cut / full black 420W
Design standards	PN-EN 1993-3-1 2005 / PN-EN 1993-4-1 2005
Welding standards	EN ISO 9606
Foundation	Concrete / Piled / Drilled Shafts

Accessories & Options

- LED lighting in the headliner
- Car charger - SOLA
- Wallbox 22kW
- Stainless steel roof side casings in any RAL color



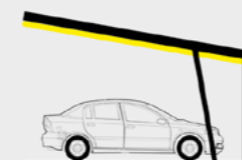
Durable & safe



Adaptive roof angle



Effective PV roof



100% waterproof



Modular design



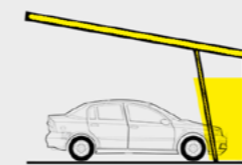
Integrated LED lighting



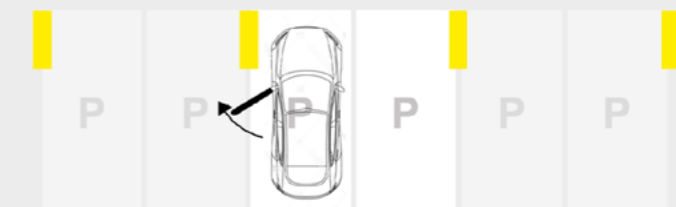
Built-in car charger



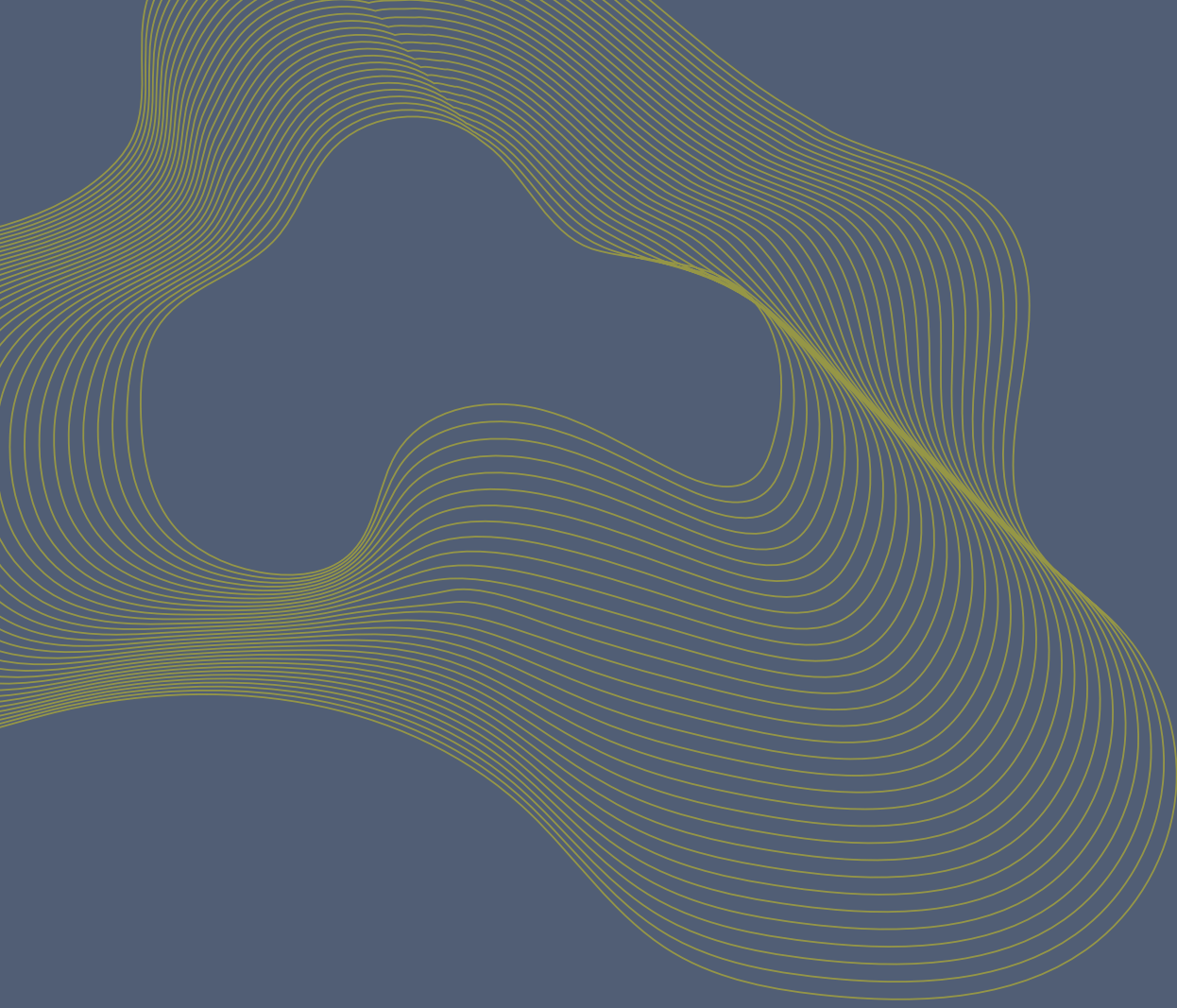
Column-free zone



Customised colors



Optimized parking space



+ADD SOLIS

**www.addsolis.eu
info@addsolis.eu**